



INSTANT FLOW® MICRO MIX™ - STANDARD FLOW

APPLICATION: commercial, industrial, kitchen/bar sink, service sink, scrub sink, shower

PRODUCT FEATURES

- The combination of any Chronomite IAPMO certified microprocessor instantaneous water heater and the Chronomite IAPMO certified mixing valve assembly AP-12, when installed per the instructions, complies with ASSE 1070-2004. Reference IAPMO R&T Certificate no. 7257. Regulation pertaining to limiting risk of scalding.
- Uses a digital microprocessor for temperature control
Ultra quick response times for temperature variations - 120 times per second. Microprocessor use is the most energy efficient means of heating water
- Unlimited hot water
- Saves water and energy - 99% energy efficient
- Vandal resistant rugged cast aluminum housing
- Space saving compact size:
6-1/4" (H) x 9-5/8" x 2-3/4"
- Meets applicable building codes including ADA, UL, IAPMO, UPC.
- Environmentally friendly
- Made in the U.S.A.

Chronomite Instant Flow® Micro-Mix - Standard Flow models are manufactured to provide reliable point-of-use hot water at 1.0 gallon per minute with a minimum pressure of 25 PSI.

The **AP-12 valve assembly** consists of IAPMO certified mixing valve, appropriate piping and fittings. Reference IAPMO R & T certificate #7257

Housing is fabricated from rugged cast aluminum alloy.

Element assembly is fabricated from Celcon plastic.

Coils are Nichrome.

Faucet flow control and compression fittings are supplied with each unit.

MODEL	BREAKER SIZE (AMPS)	VOLTAGE	WATTS	TEMP RISE @ 1.0 GPM
M-30/208-MM	30	208	6,240	42°F
M-30/240-MM	30	240	7,200	49°F
M-30/277-MM	30	277	8,310	57°F
M-40/208-MM	40	208	8,320	57°F
M-40/240-MM	40	240	9,600	65°F
M-40/277-MM	40	277	11,080	75°F



Instant Flow® Micro Mix - Standard Flow

GUIDE SPECIFICATION

Tankless Water Heater shall be a Chronomite Laboratories Model

M - / - MM 104°F
AMPS VOLTS

with Amps and Volts

to heat 1.0 gpm to a preset temperature of:

- 104°F

Unit shall be provided with, microprocessor, Celcon waterways, Nichrome heating coils, and an IAPMO certified AP-12 Mixing Valve Assembly meeting ASSE 1070-2004 compliancy. Hot water storage vessel and simple analog temperature controller are expressly prohibited.

OPTIONAL HOUSING FINISH

- PA 765 ABS (P)
 - Satin Finish Stainless Steel (SS)
 - High Polish Finish Stainless Steel (SSP)
- eg. Model M-30/240-MM with 30 Amps, 240 Volts heat 1.0 gpm to preset temperature of 104°F.

For the model being selected, please place the corresponding amps and volts values in the Guide Specifications to the right.

Complies with Standards for:



Member of U.S. Green Building Council



Water Conserving Product



Made in the USA

CHRONOMITE LABORATORIES, INC.

Acorn Family of Companies

17451 Hurley St. :: City of Industry, CA 91744
 Phone 800-447-4962 :: 626-937-4270
 Fax 626-937-4279 :: www.chronomite.com

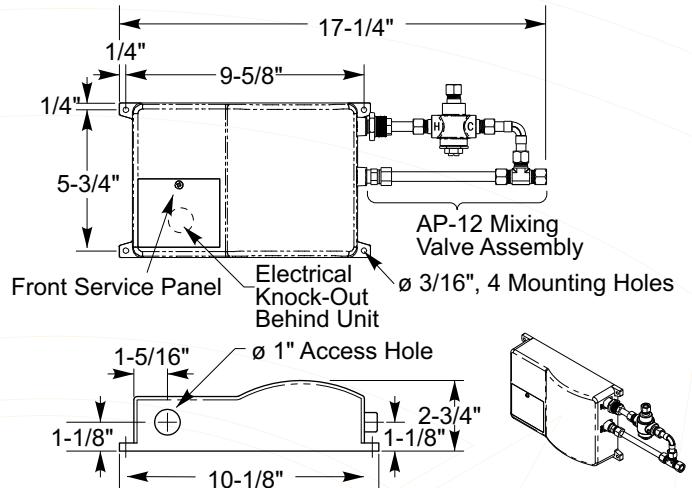


INSTANT FLOW® MICRO MIX™ - STANDARD FLOW

TECHNICAL DIMENSIONS

INSTANT FLOW® MICRO MIX™ - STANDARD FLOW

Dimensions:	6-1/4" (H) x 9-5/8" x 2-3/4"
Weight:	6 lbs.
Materials:	Rugged cast aluminum housing, Celcon plastic element assembly with Nichrome coils and AP-12 mixing valve assembly
Housing Color:	White
Minimum Operating Flow Rate:	0.65 GPM
Minimum Operating Flow Rate:	1.0 GPM
(Models M-40/240-MM, M-40/277-MM)	
Minimum Operating Pressure:	25 PSI
Maximum Operating Pressure:	150 PSI
Maximum Operating Temperature:	140°F
Listing:	UL, IAPMO, UPC, ADA



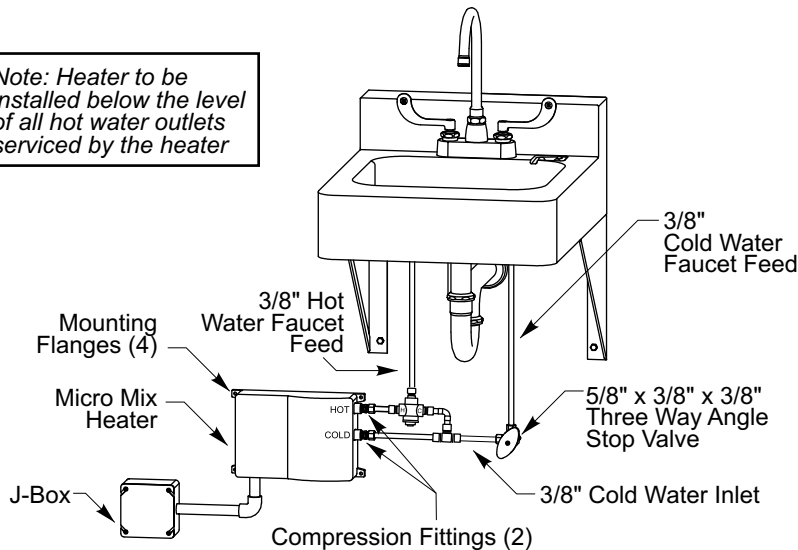
GENERAL NOTES:

- The microprocessor adjusts the heater's power for variations in flow rates, inlet water temperature and pressure to assure the selected factory preset water temperature.
- 240V models when operated at 220V will have approximately a 15% wattage decrease.

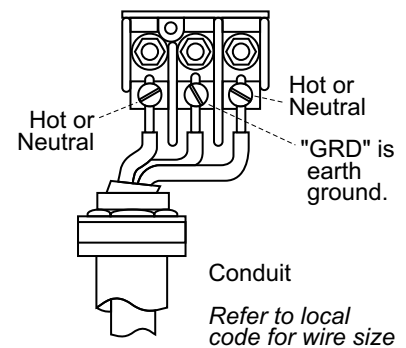
- Microprocessor limits temperature increase according to the pre-selected temperature.
- The combination of Chronomite's IAPMO certified instantaneous water heater and the Chronomite's IAPMO certified valve assembly AP-12, when installed per the instructions, complies with ASSE 1070. Reference: IAPMO R&T Certificate no. 7257.

INSTALLATION DIAGRAM

Note: Heater to be installed below the level of all hot water outlets serviced by the heater



WIRING CONNECTION



ATTENTION:
Unit must be hard wired.
NOTE: Heaters are single phase. All tests are measured at the output of the heater.

Chronomite Laboratories assumes no responsibility for use of void or suspended data.

© Copyright Chronomite Laboratories, Inc. City of Industry, CA Please visit www.chronomite.com for most current specifications.

SELECTION SUMMARY & APPROVAL FOR MANUFACTURING

Company _____

Model Number & Options _____ Quantity _____

Contact _____ Title _____

Signature (Approval for Manufacturing) _____ Date _____

CHRONOMITE
LABORATORIES, INC.
Acorn Family of Companies
PH. 800-447-4962
626-937-4270
FAX 626-937-4279
www.chronomite.com