

INSTANT-TEMP® - LOW FLOW

APPLICATION: commercial, industrial, residential, multiple lavatories, public lavatories, kitchen/bar sink

PRODUCT FEATURES

- Uses a digital microprocessor for temperature control
Ultra quick response times for temperature variations - 120 times per second. Microprocessor use is the most energy efficient means of heating water
- Unlimited hot water
- Ideal for sensor /hands-free faucets with the 104°F factory preset setting; no mixing valve needed
- Saves water and energy - 99% energy efficient
- Works on low flow
- Rugged steel housing
- Space saving compact size: 7-5/16" (H) x 10-3/4" x 2-3/4"
- Meets applicable building codes including ADA, UL, IAPMO, UPC, and CSA.
- Environmentally friendly
- Made in the U.S.A.
- Field Adjustable

Chronomite Instant-Temp® - Low Flow models are manufactured to provide reliable point-of-use hot water. There is no pressure and temperature relief valve needed (unless required by code), saving time and money on installation.

Housing is fabricated from rugged steel.

Element assembly is fabricated from Celcon/Ryton plastic.

Heating coils are nichrome.

Flow control and compression fittings are supplied with each unit.



Member of
U.S. Green
Building Council



Water
Conserving
Product



Made in
the USA

For the model being selected, please place the corresponding amps and volts values in the Guide Specifications to the right.



Instant-Temp® - Low Flow

GUIDE SPECIFICATION

Tankless Water Heater shall be a Chronomite Laboratories Model

E - _____ L / _____
x 100 WATTS VOLTS OPTIONS

with _____ Amps and _____ Volts

to heat to a preset temperature of:

- 104°F (Standard sensor faucet hand washing setting)
- 110°F (Standard hand washing setting) (Meets ADA)
- Other temperature settings available upon request (specify below)
- 120°F (Meets health code)

Unit shall be provided with Celcon waterways, and Nichrome heating coils.

Temperature controlled by microprocessor.

OPTIONS

- Factory Preset (F)
- Remote Accessory (R)
- Satin Stainless Steel Housing (SS)
- High Polish Stainless Steel Housing (SSP)
- Low Flow/ Low Pressure (LLP)
- De-ionized (DI)
- Multiple Lav applications (FLLP)
- Pressure & Temp Relief Valve Assembly (TP)

MODEL	AMPS	VOLTS	WATTS	ACTIVATION GPM	TEMP RISE @		
					0.75 GPM	1.00 GPM	1.25 GPM
E-46L / 208	22	208	4600	0.35	42	31	25
E-46L / 240	19	240	4600	0.35	42	31	25
E-46L / 277	17	277	4600	0.35	42	31	25
E-60L / 208	29	208	6000	0.35	55	41	33
E-60L / 240	25	240	6000	0.35	55	41	33
E-60L / 277	22	277	6000	0.35	55	41	33
E-70L / 208	34	208	7000	0.35	64	48	38
E-70L / 240	29	240	7000	0.35	64	48	38
E-70L / 277	25	277	7000	0.35	64	48	38
E-80L / 208	38	208	8000	0.35	73	55	44
E-80L / 240	33	240	8000	0.35	73	55	44
E-80L / 277	29	277	8000	0.35	73	55	44
E-90L / 240	38	240	9000	0.35	82	61	49
E-90L / 277	32	277	9000	0.35	82	61	49

Complies with Standards for:



Federal Public Law 111-380 (No Lead)

CALGreen

CHRONOMITE LABORATORIES, INC.

17451 Hurley St. :: City of Industry, CA 91744
Phone 800-447-4962 :: 626-937-4270
Fax 626-937-4279 :: www.chronomite.com

MEMBER OF

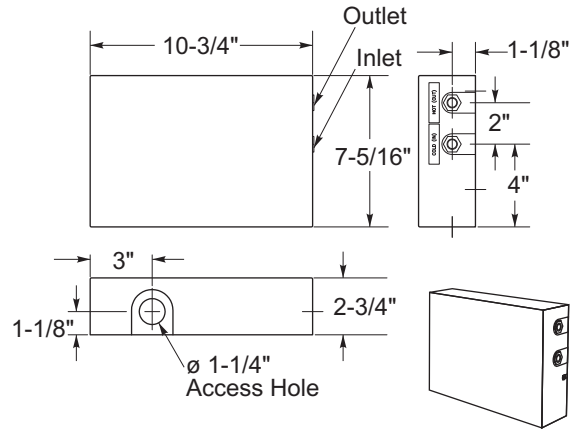


INSTANT-TEMP[®] - LOW FLOW

TECHNICAL DIMENSIONS

INSTANT-TEMP - LOW FLOW

Dimensions:	7-5/16" (H) x 10-3/4" x 2-3/4"
Weight:	8 lbs.
Materials:	Rugged steel housing Celcon/Ryton plastic element assembly with nichrome coils
Housing Color:	White
Minimum Operating Flow Rate:	0.35 GPM
Minimum Operating Pressure:	45 PSI
Maximum Operating Pressure:	80 PSI
Maximum Pressure:	150 PSI
Maximum Operating Temperature:	160°F
Listing:	UL, IAPMO, UPC, ADA, CSA



GENERAL NOTES:

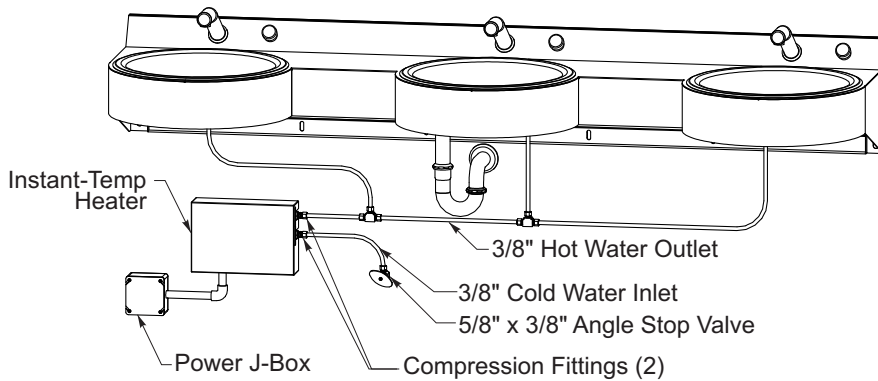
- The microprocessor adjusts the heater's power for variations in flow rates, inlet water temperature and pressure to assure the selected factory pre set water temperature. **
- 240V models when operated at 220V will have approximately a 15% wattage decrease.
- Instant-Temp is ideal for sensor/hands-free faucets with the 104°F factory preset setting temperature; no mixing valve needed

- Factory setting of 110°F or above require cold water mixing at the hand wash faucet.
- Microprocessor limits temperature increase according to the pre-selected temperature

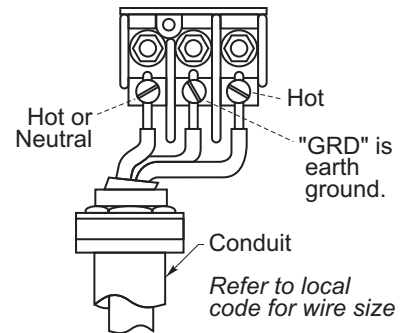
INSTALLATION DIAGRAM

Note: Heater to be installed below the level of all hot water outlets serviced by the heater

Shown installed in a Multi-Lavatory Installation



WIRING CONNECTION



ATTENTION:

Unit must be hard wired.
NOTE: Heaters are single phase.
All tests are measured at the output of the heater.

Chronomite Laboratories assumes no responsibility for use of void or suspended data. © Copyright Chronomite Laboratories, Inc. Member of Morris Group International, City of Industry, CA Please visit www.chronomite.com for most current specifications.

SELECTION SUMMARY & APPROVAL FOR MANUFACTURING

Company _____

Model Number & Options _____ Quantity _____

Contact _____ Title _____

Signature (Approval for Manufacturing) _____ Date _____

CHRONOMITE
LABORATORIES, INC.

PH. 800-447-4962

626-937-4270

FAX 626-937-4279

www.chronomite.com